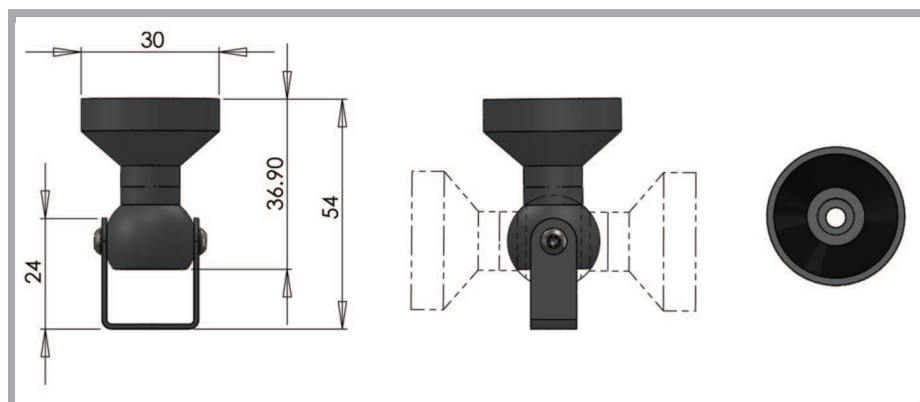


UFO 4D Downlight



A small surface mount, trumpet style downlight. Supplied with mounting bracket.

Available in a range of finishes, this fitting can be rotated and tilted to point directly at any objects to be illuminated. The light beam from this fitting is focusable. Also suitable for mounting in the base of a display case and illuminating upwards. Suitable for use where access above or below the mounting surface is not available.

Description	
Lens	Clear focusing lens
Material	Aluminum or stainless steel
Colours available	Polished aluminum, black, white, polished stainless steel
Focus range	25° - 45°
Trumpet size	Ø30 mm
Tilt	180°
Weight	52.8 g (stainless steel) 29.6 g (aluminium)
Mounting	M6 screwfix with bracket
Ferrule size	M8
Min. fibre size	2 mm
Max. fibre size	4.5 mm

Our downlight fittings are suitable for use in a variety of different applications and are the ideal solution for the illumination of static objects within a display case or cabinet.

Uses include:

- Museum and gallery cabinet and display lighting
- Accentuation of pictures and other objects
- Illumination of shop displays